

W W W . L I T E W O R X . C O M



ASL SERIES AISLE&STEPLITE
CUT SHEETS

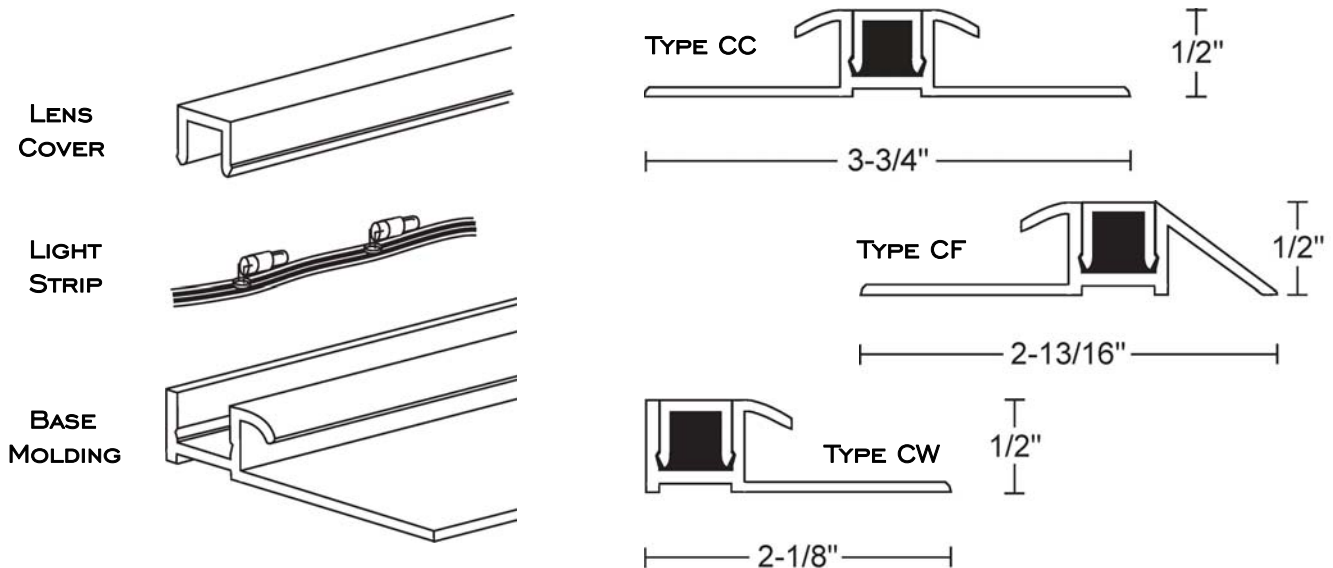
1. TYPE AL (AISLE LIGHTING)
2. TYPE SL (STEP LIGHTING)
3. TYPE WL (WALL LIGHTING)
4. TYPE R (RECESSED)
5. ADAPTIVE MOLDINGS
6. TRANSFORMERS

3701 RIDGE AVENUE
PHILADELPHIA PA 19132
FON | 215.223.9200 215.227.7332 | FAX

ASL[®] SERIES AISLE&STEPLITE TYPE AL (AISLES)

NOTES

1. LENS COVER: GE LEXAN POLYCARBONATE.
2. BASE MOLDING: EXTRUDED RIGID PVC.
3. LAMP: FIELD-REPLACEABLE, 0.9 WATT, 24 VOLT, T-1.25 BI-PIN BASE.
4. LAMP STRIP CAPACITY: 3 AMPERES.
5. BASE FINISH: BRONZE.
6. LENS COVER AVAILABLE IN CLEAR <C>, RED <R>, AMBER <A> OR SMOKE <S>.
7. FIXTURE IS SLIGHTLY FLEXIBLE ONLY IN A PLANE PERPENDICULAR TO ITS BASE. KERF MOLDING TO ACCOMMODATE BASE-PARALLEL CURVES.
8. MAXIMUM RUN PER POWER FEED: 75 LAMPS.
9. INTENDED FOR INSTALLATION ON CARPETED AISLES.



SAMPLE MODEL NUMBER

ASL - AL - 60'0" - CF - C - 12 - 24

FIXTURE SERIES	TYPE	RUN LENGTH	MOLDING TYPE	LENS COLOR	LAMP SPACING	VOLTAGE
ASL	AL	ANY LENGTH RUN (MULTIPLE FEED POINTS MAY BE REQUIRED)	CF	C	6	24
			CW	R	12	
			CC	A		
				S		

SCALE: NTS

**ASL SERIES TYPE AL
AISLE&STEPLITE**

Liteworx[®]

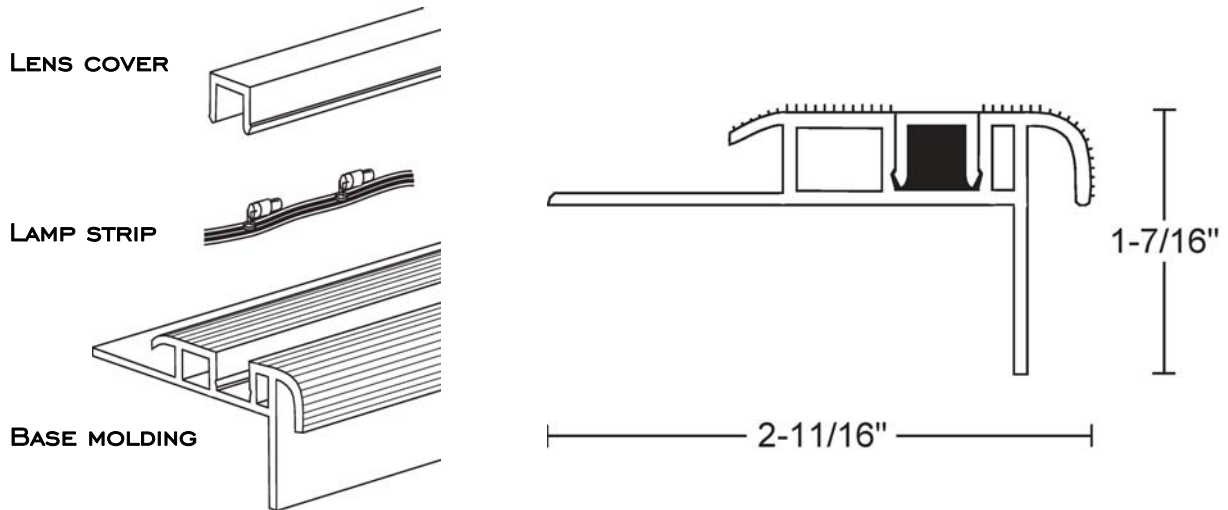
3701 RIDGE AVENUE
PHILADELPHIA, PENNSYLVANIA 19132
215.223.9200 FAX: 215.227.7332
WWW.LITEWORX.COM

ALL IDEAS, DESIGNS, PLANS, SCHEMES AND ARRANGEMENTS INDICATED OR REPRESENTED BY THIS DRAWING ARE OWNED BY AND ARE THE SOLE PROPERTY OF LITEWORX[®] AND WERE CREATED, EVOLVED AND DEVELOPED FOR USE ON AND IN CONNECTION WITH THIS SPECIFIC PROJECT. THIS DRAWING AND THE CONTENTS THEREIN, WHETHER EXPRESS OR IMPLIED, SHALL NOT BE USED COPIED OR DISCLOSED, WHOLLY OR IN PART, WITHOUT THE WRITTEN PERMISSION OF LITEWORX.

ASL[®] SERIES AISLE&STEPLITE TYPE SL (STEPS)

NOTES

1. LENS COVER: GE LEXAN POLYCARBONATE.
2. BASE MOLDING: EXTRUDED RIGID PVC
3. LAMP: FIELD-REPLACEABLE, 0.9 WATT, 24 VOLT, T-1 .25 BI-PIN BASE.
4. LAMP STRIP AMPACITY: 3 AMPERES.
5. BASE FINISH: BRONZE.
6. LENS COVER AVAILABLE IN CLEAR <C>, RED <R>, AMBER <A> OR SMOKE <S>.
7. FIXTURE IS NOT FLEXIBLE. KERF MOLDING TO ACCOMMODATE CURVES.
8. MAXIMUM RUN PER POWER FEED: 75 LAMPS.
9. INTENDED FOR INSTALLATION ONLY ON CARPETED STEPS NOT FITTED WITH BULLNOSE.
10. LAMP LIFE IN EXCESS OF 100,000 HOURS IF OPERATED AT 12 VOLTS.



SAMPLE MODEL NUMBER

ASL - SL - 10x3'0" - CS - C - 6 - 24

FIXTURE SERIES	TYPE	RUN LENGTH	MOLDING TYPE	LENS COLOR	LAMP SPACING	VOLTAGE
ASL	SL	ANY LENGTH RUN (MULTIPLE FEED POINTS MAY BE REQUIRED)	CS	C	2	24
				R	6	
				A	12	
				S		

SCALE: NTS

ASL SERIES TYPE SL
AISLE&STEPLITE

Liteworx[®]

3701 RIDGE AVENUE
PHILADELPHIA, PENNSYLVANIA 19132
215.223.9200 FAX: 215.227.7332
WWW.LITEWORX.COM

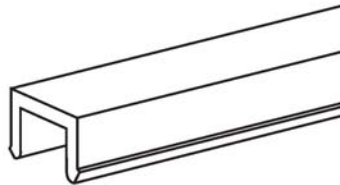
ALL IDEAS, DESIGNS, PLANS, SCHEMES AND ARRANGEMENTS INDICATED OR REPRESENTED BY THIS DRAWING ARE OWNED BY AND ARE THE SOLE PROPERTY OF LITEWORX[®] AND WERE CREATED, EVOLVED AND DEVELOPED FOR USE ON AND IN CONNECTION WITH THIS SPECIFIC PROJECT. THIS DRAWING AND THE CONTENTS THEREIN, WHETHER EXPRESS OR IMPLIED, SHALL NOT BE USED COPIED OR DISCLOSED, WHOLLY OR IN PART, WITHOUT THE WRITTEN PERMISSION OF LITEWORX.

ASL[®] SERIES AISLE&STEPLITE TYPE WL

NOTES

1. LENS COVER: GE LEXAN POLYCARBONATE.
2. BASE MOLDING: EXTRUDED RIGID PVC
3. LAMP: FIELD-REPLACEABLE, 0.9 WATT, 24 VOLT, T-1.25 BI-PIN BASE.
4. LAMP STRIP AMPACITY: 3 AMPERES.
5. BASE FINISH: CLEAR <C>, WHITE <W> OR BRONZE <BZ>.
6. LENS COVER AVAILABLE IN CLEAR <C>, RED <R>, AMBER <A> OR SMOKE <S>.
7. FIXTURE FLEXIBLE IN A PLANE PERPENDICULAR TO ITS BASE TO A 24 IN. RADIUS.
8. MAXIMUM RUN PER POWER FEED: 75 LAMPS.
9. ATTACHMENT TO MOUNTING SURFACE BY INSTALLER-FURNISHED CONSTRUCTION CEMENT.
10. LAMP LIFE IN EXCESS OF 100,000 HOURS IF OPERATED AT 12 VOLTS.

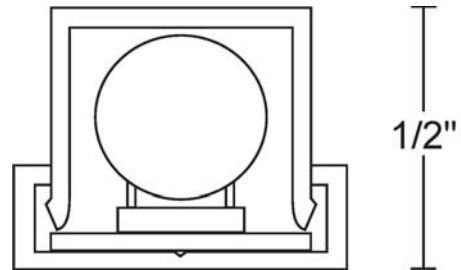
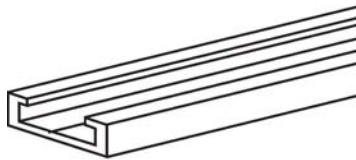
LENS COVER



LAMP STRIP



BASE MOLDING



SAMPLE MODEL NUMBER

ASL - WL - 30'0" - W - C - 6 - 24

FIXTURE SERIES	TYPE	RUN LENGTH	MOLDING TYPE	LENS COLOR	LAMP SPACING	VOLTAGE
ASL	WL	ANY LENGTH RUN (MULTIPLE FEED POINTS MAY BE REQUIRED)	W(C,W,BZ)	C	2	24
				R	6	
				A	12	
				S		

SCALE: NTS

ASL SERIES TYPE WL
AISLE&STEPLITE

Liteworx[®]

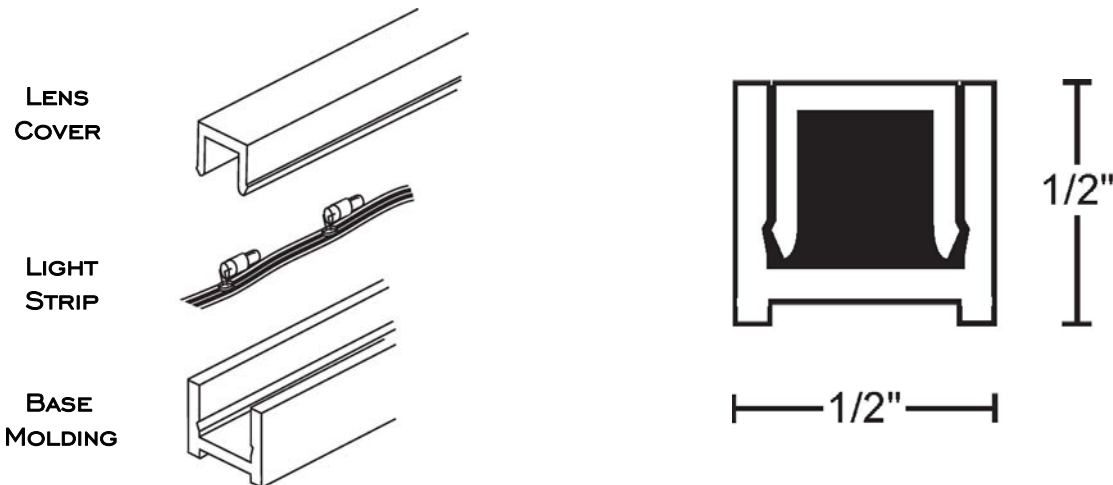
3701 RIDGE AVENUE
PHILADELPHIA, PENNSYLVANIA 19132
215.223.9200 FAX: 215.227.7332
WWW.LITEWORX.COM

ALL IDEAS, DESIGNS, PLANS, SCHEMES AND ARRANGEMENTS INDICATED OR REPRESENTED BY THIS DRAWING ARE OWNED BY AND ARE THE SOLE PROPERTY OF LITEWORX[®] AND WERE CREATED, EVOLVED AND DEVELOPED FOR USE ON AND IN CONNECTION WITH THIS SPECIFIC PROJECT. THIS DRAWING AND THE CONTENTS THEREIN, WHETHER EXPRESS OR IMPLIED, SHALL NOT BE USED COPIED OR DISCLOSED, WHOLLY OR IN PART, WITHOUT THE WRITTEN PERMISSION OF LITEWORX.

ASL[®] SERIES AISLE&STEPLITE TYPE R (RECESSED)

NOTES

1. LENS COVER: GE LEXAN POLYCARBONATE.
2. BASE MOLDING: EXTRUDED RIGID PVC
3. LAMP: FIELD-REPLACEABLE, 0.9 WATT, 24 VOLT, T-1 .25 BI-PIN BASE.
4. LAMP STRIP AMPACITY: 3 AMPERES.
5. BASE FINISH: BRONZE.
6. LENS COVER AVAILABLE IN CLEAR <C>, RED <R>, AMBER <A> OR SMOKE <S>.
7. FIXTURE IS SLIGHTLY FLEXIBLE ONLY IN A PLANE PERPENDICULAR TO ITS BASE.
8. MAXIMUM RUN PER POWER FEED: 75 LAMPS.
9. INTENDED FOR INSTALLATION IN ROUTERED GROOVES 1/2" X 1/2". SECURE WITH INSTALLER-FURNISHED CLEAR SILICON ADHESIVE.



SAMPLE MODEL NUMBER

ASL - R - 10'0" - U - C - 6 - 24

FIXTURE SERIES	TYPE	RUN LENGTH	MOLDING TYPE	LENS COLOR	LAMP SPACING	VOLTAGE
ASL	R	ANY LENGTH RUN (MULTIPLE FEED POINTS MAY BE REQUIRED)	U	C	2	24
				R	6	
				A	12	
				S	CUSTOM	

SCALE: NTS

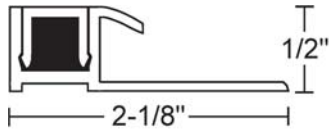
**ASL SERIES
AISLE&STEPLITE TYPE R**

Liteworx[®]

3701 RIDGE AVENUE
PHILADELPHIA, PENNSYLVANIA 19132
215.223.9200 FAX: 215.227.7332
WWW.LITEWORX.COM

ALL IDEAS, DESIGNS, PLANS, SCHEMES AND ARRANGEMENTS INDICATED OR REPRESENTED BY THIS DRAWING ARE OWNED BY AND ARE THE SOLE PROPERTY OF LITEWORX[®] AND WERE CREATED, EVOLVED AND DEVELOPED FOR USE ON AND IN CONNECTION WITH THIS SPECIFIC PROJECT. THIS DRAWING AND THE CONTENTS THEREIN, WHETHER EXPRESS OR IMPLIED, SHALL NOT BE USED COPIED OR DISCLOSED, WHOLLY OR IN PART, WITHOUT THE WRITTEN PERMISSION OF LITEWORX.

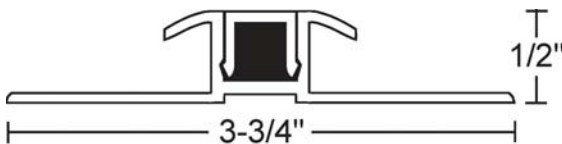
AISLE&STEPLITE ADAPTIVE MOLDINGS



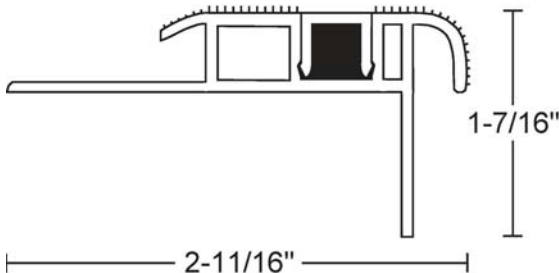
TYPE CW: USED AT CARPET EDGE WHERE CARPET MEETS A WALL OR OTHER VERTICAL SURFACE. CAN ALSO BE USED IN A VERTICAL POSITION ON STAIR RISER TO PLACE TUBELITE UNDER TREAD NOSINGS. MATERIAL: RIGID PVC. FINISH: DARK BRONZE



TYPE CF: USED AT CARPET EDGE WHERE CARPET TRANSITIONS TO HARD SURFACE FLOORING AS IN THEATRE AISLES. MATERIAL: RIGID PVC. FINISH: DARK BRONZE



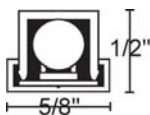
TYPE CC: USED ON FLAT, CARPETED AREAS WHERE CARPET OCCURS ON BOTH SIDES OF MOLDING. MATERIAL: RIGID PVC. FINISH: DARK BRONZE.



TYPE CS: USED AT LEADING EDGE OF CARPETED STAIR TREADS OR ANY ELEVATION CHANGE. MATERIAL: RIGID PVC. FINISH DARK BRONZE. MOLDING FORMS A BULLNOSE AND HAS A SKID-RESISTANT TOP SURFACE.



TYPE U: USED TO STABILIZE RECESSED APPLICATIONS OR AS A STAND-ALONE ACCENT WHERE LIGHT EMITS ONLY FROM THE TOP SURFACE. MATERIAL: RIGID PVC. FINISH: DARK BRONZE.



TYPE W: USED AS SURFACE MOUNTED HORIZONTAL OR VERTICAL ACCENT WHERE LIGHT EMITS FROM TOP SURFACE AS WELL AS SIDES. LENS COVER MATERIAL: POLYCARBONATE. LENS COVER FINISH: CLEAR, RED, AMBER, SMOKE. BASE MOLDING MATERIAL: RIGID PVC. BASE MATERIAL FINISH: CLEAR, BRONZE, WHITE.

SCALE: NTS

**ASL SERIES
AISLE&STEPLITE
ADAPTIVE MOLDINGS**

Liteworx®

3701 RIDGE AVENUE
PHILADELPHIA, PENNSYLVANIA 19132
215.223.9200 FAX: 215.227.7332
WWW.LITEWORX.COM

ALL IDEAS, DESIGNS, PLANS, SCHEMES AND ARRANGEMENTS INDICATED OR REPRESENTED BY THIS DRAWING ARE OWNED BY AND ARE THE SOLE PROPERTY OF LITEWORX® AND WERE CREATED, EVOLVED AND DEVELOPED FOR USE ON AND IN CONNECTION WITH THIS SPECIFIC PROJECT. THIS DRAWING AND THE CONTENTS THEREIN, WHETHER EXPRESS OR IMPLIED, SHALL NOT BE USED COPIED OR DISCLOSED, WHOLLY OR IN PART, WITHOUT THE WRITTEN PERMISSION OF LITEWORX.

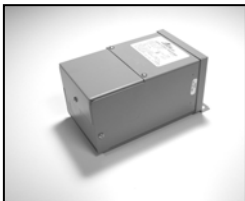
LITEWORX® TRANSFORMERS

LOW VOLTAGE LIGHTING FIXTURES REQUIRE TRANSFORMERS. TRANSFORMERS CAN ALSO BE USED TO LOWER THE OPERATING VOLTAGE IN ORDER TO INCREASE LAMP LIFE. CONSULT FACTORY ON A JOB-BY-JOB BASIS FOR MORE INFORMATION ON THIS SUBJECT.

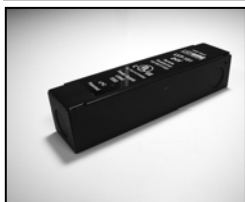
CATALOG NUMBER	TRANSFORMER RATING IN VA	MAX OUTPUT CURRENT IN AMPS @ 12 VOLTS	MAX OUTPUT CURRENT IN AMPS @ 24 VOLTS	HEIGHT IN INCHES	WIDTH IN INCHES	DEPTH IN INCHES	WEIGHT IN POUNDS
MAGNETIC TRANSFORMERS							
M75*	75	NA	3.12	2.25	2.75	2.50	1.75
M100	100	8.33	4.16	6.62	3.75	3.62	5
M150	150	12.5	6.25	7.12	3.75	3.62	7
M250	250	20.8	10.4	8.68	4.08	3.88	10
M500	500	41.6	20.8	9.06	4.37	4.2	15
M750	750	62.5	31.25	9.68	4.75	4.51	19
M1000	1000	83.2	41.6	10.5	5.5	5.13	24
ELECTRONIC TRANSFORMERS							
E75	75	NA	3.12	.8125	1.3125	2.5	< 1
E150	150	NA	6.25	1.375	1.5	6.5	< 1
E300	300	NA	12.5	1.4375	1.625	9.375	< 1

*CORE & COIL

MAGNETIC TRANSFORMERS REQUIRE SECONDARY FUSING. FUSEHOLDERS COME IN 25 AMP (TYPE A) & 10 AMP (TYPE B) VERSIONS. EXTRA FUSES: AVAILABLE IN 4, 5, 7.5, 10, 15, 20 & 25 AMP RATINGS.



ALL MAGNETIC TRANSFORMERS FEATURED IN THIS CATALOG ARE UL LISTED FOR WET LOCATION AND COME EQUIPPED WITH A BUILT-IN JUNCTION BOX.



ALL ELECTRONIC TRANSFORMERS FEATURED IN THIS CATALOG ARE UL LISTED AND HAVE BUILT-IN AUTO-RESETTING OVERLOAD PROTECTORS. E150 AND E300 HAVE BUILT-IN JUNCTION BOXES.

Liteworx®

WWW.LITEWORX.COM

FON | 215.223.9200 215.227.7332 | FAX

© LITEWORX 1977-2009