

W W W . L I T E W O R X . C O M



PT SERIES POINTRAK®

PTFL CUT SHEETS

PTFL

- |               |                              |
|---------------|------------------------------|
| 1. STYLE ST   | (STRAIGHT FIXTURE-BIAX LAMP) |
| 2. STYLE ST   | (STRAIGHT FIXTURE-QUAD LAMP) |
| 3. STYLE FC   | (CURVABLE)                   |
| 4. STYLE STOL | (OVERLAPPING LAMPS)          |
| 5. STYLE FCOL | (CURVABLE OVERLAPPING)       |
| 6. STYLE MOD  | (ONE SOCKET)                 |

3701 RIDGE AVENUE

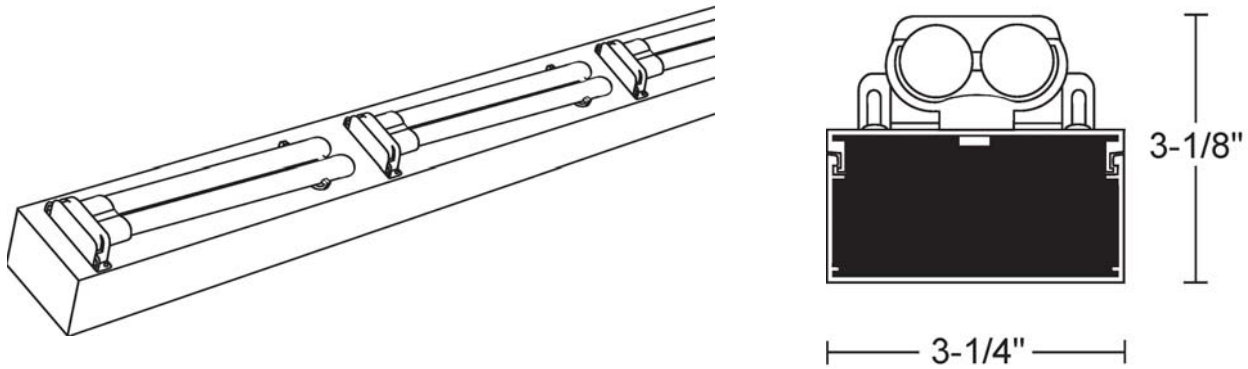
PHILADELPHIA PA 19132

FO N | 215.223.9200 215.227.7332 | FAX

# PT<sup>®</sup> SERIES POINTRAK<sup>®</sup> STYLE PTFL-ST-(\*\*) (BIAX LAMP)

## NOTES

1. CAN ACCOMMODATE ALL COMPACT FLUORESCENT LAMPS OFFERED. SHOWN: BX18. LAMPS NOT INCLUDED.
2. UL LISTED FOR DRY OR DAMP LOCATIONS.
3. SOCKET AND INTEGRAL BALLAST FACTORY-WIRED WITH #12AWG, 105°C. STRANDED CONDUCTORS.
4. FIXTURE BODY EXTRUDED .062" ALUMINUM CONSTRUCTION. 2 PIECE SNAP-TOGETHER ASSEMBLY. NO SHEET METAL SCREWS OR POP RIVETS.
5. HEAT-RESISTANT POWDER-COATED FINISHES AVAILABLE.



## SAMPLE MODEL NUMBER

**PTFL - ST - BX(\*\*) - EL - M**

LIGHT SOURCE	STYLE	LAMP TYPE	BALLAST TYPE	VOLTAGE	FINISH	ACCESSORIES
PTFL	ST	TT13	MG/NPF	110	M	RF
		DBX26	MG/HPF	277	GW	AEM
		BX18	EL	FV	EW	
		BX27	DB		MW	
		BX39	R		SB	
		BX40			MB	
		BX50			BB	
		BX55			G	

SCALE: NTS

**POINTRAK**  
STYLE PTFL-ST-BX(\*\*)

**Liteworx<sup>®</sup>**

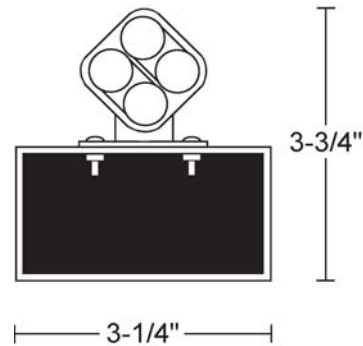
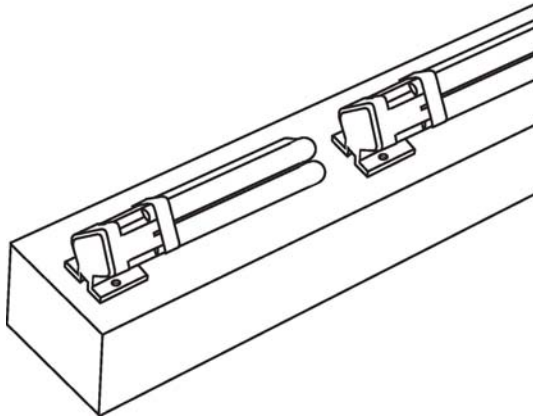
3701 RIDGE AVENUE  
PHILADELPHIA, PENNSYLVANIA 19132  
215.223.9200 FAX: 215.227.7332  
[WWW.LITEWORX.COM](http://WWW.LITEWORX.COM)

ALL IDEAS, DESIGNS, PLANS, SCHEMES AND ARRANGEMENTS INDICATED OR REPRESENTED BY THIS DRAWING ARE OWNED BY AND ARE THE SOLE PROPERTY OF LITEWORX<sup>®</sup> AND WERE CREATED, EVOLVED AND DEVELOPED FOR USE ON AND IN CONNECTION WITH THIS SPECIFIC PROJECT. THIS DRAWING AND THE CONTENTS THEREIN, WHETHER EXPRESS OR IMPLIED, SHALL NOT BE USED COPIED OR DISCLOSED, WHOLLY OR IN PART, WITHOUT THE WRITTEN PERMISSION OF LITEWORX.

# PT<sup>®</sup> SERIES POINTRAK<sup>®</sup> STYLE PTFL-ST (DBX LAMP)

## NOTES

1. CAN ACCOMMODATE ALL COMPACT FLUORESCENT LAMPS OFFERED. SHOWN: DBX26. LAMPS NOT INCLUDED.
2. UL LISTED FOR DRY OR DAMP LOCATIONS.
3. SOCKET AND INTEGRAL BALLAST FACTORY-WIRED WITH #12AWG, 105°C. STRANDED CONDUCTORS.
4. FIXTURE BODY EXTRUDED .062" ALUMINUM CONSTRUCTION. 2 PIECE SNAP-TOGETHER ASSEMBLY. NO SHEET METAL SCREWS OR POP RIVETS.
5. HEAT-RESISTANT POWDER-COATED FINISHES AVAILABLE.
6. INTEGRAL OR REMOTE BALLASTS AVAILABLE.



## SAMPLE MODEL NUMBER

**PTFL - ST - DBX26 - EL - M**

LIGHT SOURCE	STYLE	LAMP TYPE	BALLAST TYPE	VOLTAGE	FINISH	ACCESSORIES
PTFL	ST	TT13	MG/NPF	110	M	RF
		DBX26	MG/HPF	277	GW	AEM
		BX18	EL	FV	EW	
		BX27	DB		MW	
		BX39	R		SB	
		BX40			MB	
		BX50			BB	
		BX55			G	

SCALE: NTS

**POINTRAK  
STYLE PTFL-ST-DBX26**

**Liteworx<sup>®</sup>**

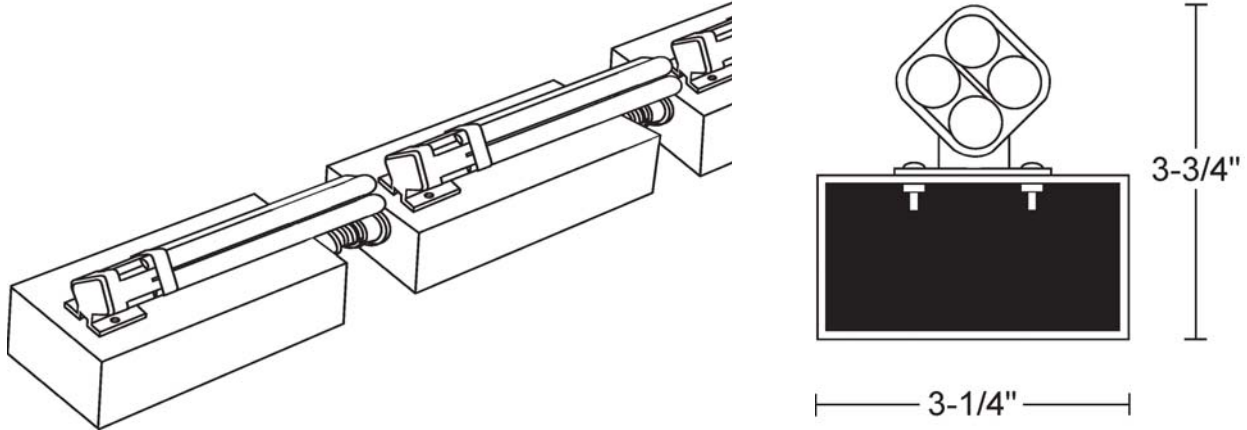
3701 RIDGE AVENUE  
PHILADELPHIA, PENNSYLVANIA 19132  
215.223.9200 FAX: 215.227.7332  
[WWW.LITEWORX.COM](http://WWW.LITEWORX.COM)

ALL IDEAS, DESIGNS, PLANS, SCHEMES AND ARRANGEMENTS INDICATED OR REPRESENTED BY THIS DRAWING ARE OWNED BY AND ARE THE SOLE PROPERTY OF LITEWORX<sup>®</sup> AND WERE CREATED, EVOLVED AND DEVELOPED FOR USE ON AND IN CONNECTION WITH THIS SPECIFIC PROJECT. THIS DRAWING AND THE CONTENTS THEREIN, WHETHER EXPRESS OR IMPLIED, SHALL NOT BE USED COPIED OR DISCLOSED, WHOLLY OR IN PART, WITHOUT THE WRITTEN PERMISSION OF LITEWORX.

# PT<sup>®</sup> SERIES POINTRAK<sup>®</sup> STYLE FC

## NOTES

1. CAN ACCOMMODATE ANY LAMP TYPE OFFERED. SHOWN: DBX26. LAMP NOT INCLUDED.
2. SOCKET AND INTEGRAL BALLAST FACTORY-WIRED WITH #12AWG, 105°C. STRANDED CONDUCTORS.
3. UL LISTED FOR DRY OR DAMP LOCATIONS.
4. FIXTURE BODY EXTRUDED .062" ALUMINUM CONSTRUCTION; 2 PIECE SNAP-TOGETHER ASSEMBLY; NO SHEET METAL SCREWS OR POP RIVETS.
5. HEAT-RESISTANT POWDER-COATED FINISHES AVAILABLE.
6. INTEGRAL OR REMOTE BALLASTS AVAILABLE.
7. UNIVERSALLY FIELD FLEXIBLE.



## SAMPLE MODEL NUMBER

**PTFL - FC - DBX26 - EL - 277 - M**

LIGHT SOURCE	STYLE	LAMP TYPE	BALLAST TYPE	VOLTAGE	FINISH	ACCESSORIES
PTFL	FC	TT13	MG/NPF	110	M	RF
		DBX26	MG/HPF	277	GW	AEM
		BX18	EL	FV	EW	
		BX27	DB		MW	
		BX39	R		SB	
		BX40			MB	
		BX50			BB	
		BX55			G	

SCALE: NTS

**POINTRAK  
STYLE FC**

**Liteworx<sup>®</sup>**

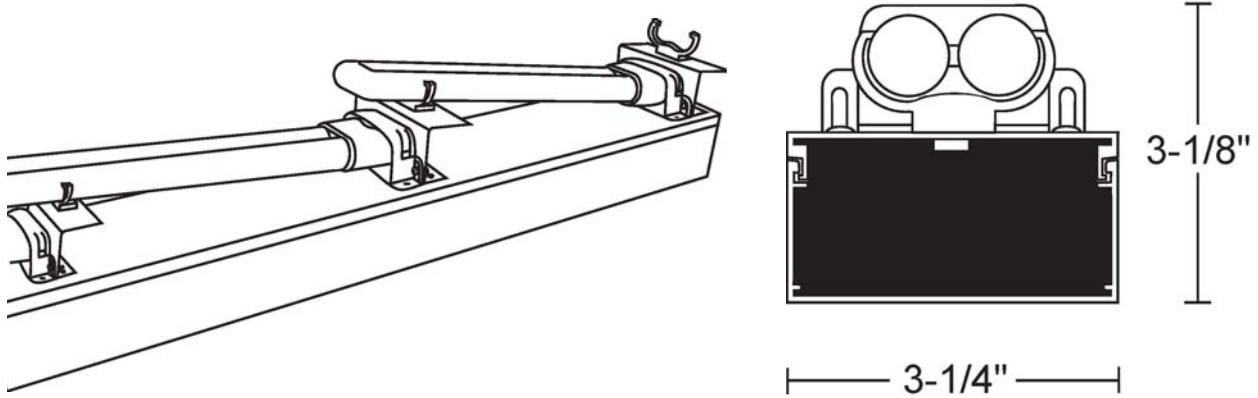
3701 RIDGE AVENUE  
PHILADELPHIA, PENNSYLVANIA 19132  
215.223.9200 FAX: 215.227.7332  
[WWW.LITEWORX.COM](http://WWW.LITEWORX.COM)

ALL IDEAS, DESIGNS, PLANS, SCHEMES AND ARRANGEMENTS INDICATED OR REPRESENTED BY THIS DRAWING ARE OWNED BY AND ARE THE SOLE PROPERTY OF LITEWORX<sup>®</sup> AND WERE CREATED, EVOLVED AND DEVELOPED FOR USE ON AND IN CONNECTION WITH THIS SPECIFIC PROJECT. THIS DRAWING AND THE CONTENTS THEREIN, WHETHER EXPRESS OR IMPLIED, SHALL NOT BE USED COPIED OR DISCLOSED, WHOLLY OR IN PART, WITHOUT THE WRITTEN PERMISSION OF LITEWORX.

# PT<sup>®</sup> SERIES POINTRAK<sup>®</sup> STYLE STOL

## NOTES

1. CAN ACCOMMODATE ANY LAMP TYPE OFFERED EXCEPT DBX26. SHOWN: BX18. LAMP NOT INCLUDED.
2. SOCKET AND INTEGRAL BALLAST FACTORY-WIRED WITH #12AWG, 105°C. STRANDED CONDUCTORS.
3. UL LISTED FOR DRY OR DAMP LOCATIONS.
4. FIXTURE BODY EXTRUDED .062" ALUMINUM CONSTRUCTION; 2 PIECE SNAP-TOGETHER ASSEMBLY;  
NO SHEET METAL SCREWS OR POP RIVETS.
5. HEAT-RESISTANT POWDER-COATED FINISHES AVAILABLE.
6. INTEGRAL OR REMOTE BALLASTS AVAILABLE.



## SAMPLE MODEL NUMBER

**PTFL - STOL - (\*\* ) - EL - 277 - M**

LIGHT SOURCE	STYLE	LAMP TYPE	BALLAST TYPE	VOLTAGE	FINISH	ACCESSORIES
PTFL	STOL	TT13	MG/NPF	110	M	RF
			MG/HPF	277	GW	AEM
		BX18	EL	FV	EW	
		BX27	DB		MW	
		BX39	R		SB	
		BX40			MB	
		BX50			BB	
		BX55			G	

SCALE: NTS

**POINTRAK  
STYLE STOL**

**Liteworx<sup>®</sup>**

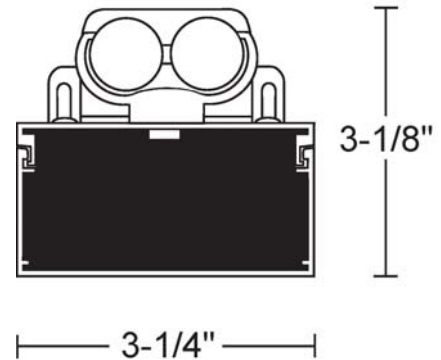
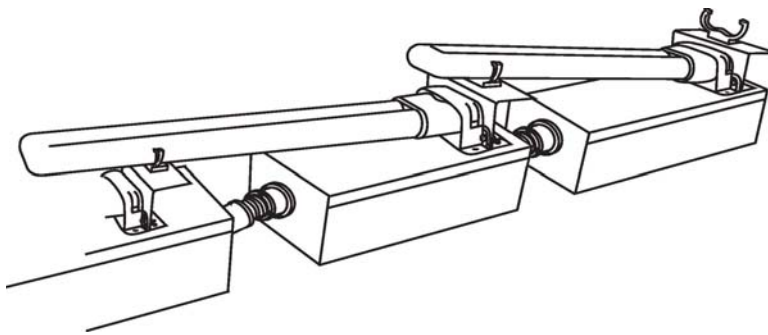
3701 RIDGE AVENUE  
PHILADELPHIA, PENNSYLVANIA 19132  
215.223.9200 FAX: 215.227.7332  
[WWW.LITEWORX.COM](http://WWW.LITEWORX.COM)

ALL IDEAS, DESIGNS, PLANS, SCHEMES AND ARRANGEMENTS INDICATED OR REPRESENTED BY THIS DRAWING ARE OWNED BY AND ARE THE SOLE PROPERTY OF LITEWORX<sup>®</sup> AND WERE CREATED, EVOLVED AND DEVELOPED FOR USE ON AND IN CONNECTION WITH THIS SPECIFIC PROJECT. THIS DRAWING AND THE CONTENTS THEREIN, WHETHER EXPRESS OR IMPLIED, SHALL NOT BE USED COPIED OR DISCLOSED, WHOLLY OR IN PART, WITHOUT THE WRITTEN PERMISSION OF LITEWORX.

# PT<sup>®</sup> SERIES POINTRAK<sup>®</sup> STYLE FCOL

## NOTES

1. CAN ACCOMMODATE ANY LAMP TYPE OFFERED EXCEPT DBX26. SHOWN: BX18. LAMP NOT INCLUDED.
2. SOCKET AND INTEGRAL BALLAST FACTORY-WIRED WITH #12AWG, 105°C. STRANDED CONDUCTORS.
3. UL LISTED FOR DRY OR DAMP LOCATIONS.
4. FIXTURE BODY EXTRUDED .062" ALUMINUM CONSTRUCTION; 2 PIECE SNAP-TOGETHER ASSEMBLY; NO SHEET METAL SCREWS OR POP RIVETS.
5. HEAT-RESISTANT POWDER-COATED FINISHES AVAILABLE.
6. INTEGRAL OR REMOTE BALLASTS AVAILABLE.
7. UNIVERSALLY FIELD FLEXIBLE.



## SAMPLE MODEL NUMBER

**PTFL - FCOL - BX18 - EL - 277 - M**

LIGHT SOURCE	STYLE	LAMP TYPE	BALLAST TYPE	VOLTAGE	FINISH	ACCESSORIES
PTFL	FCOL	TT13	MG/NPF	110	M	RF
			MG/HPF	277	GW	AEM
		BX18	EL	FV	EW	
		BX27	DB		MW	
		BX39	R		SB	
		BX40			MB	
		BX50			BB	
		BX55			G	

SCALE: NTS

**POINTRAK  
STYLE FCOL**

**Liteworx<sup>®</sup>**

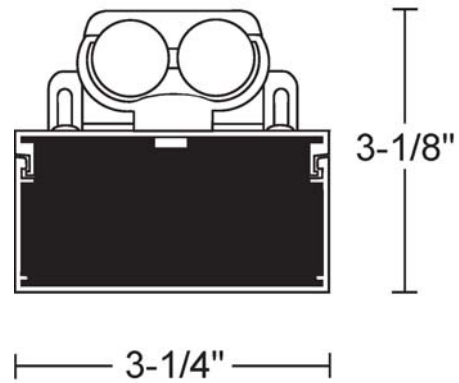
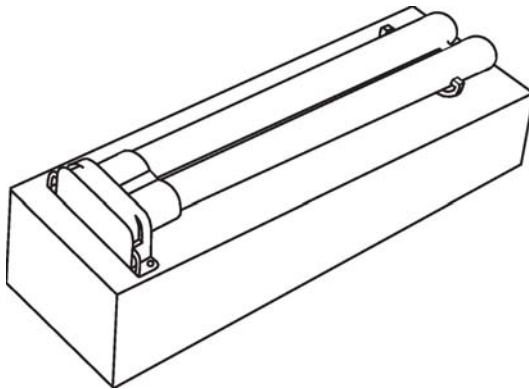
3701 RIDGE AVENUE  
PHILADELPHIA, PENNSYLVANIA 19132  
215.223.9200 FAX: 215.22.-7332  
[WWW.LITEWORX.COM](http://WWW.LITEWORX.COM)

ALL IDEAS, DESIGNS, PLANS, SCHEMES AND ARRANGEMENTS INDICATED OR REPRESENTED BY THIS DRAWING ARE OWNED BY AND ARE THE SOLE PROPERTY OF LITEWORX<sup>®</sup> AND WERE CREATED, EVOLVED AND DEVELOPED FOR USE ON AND IN CONNECTION WITH THIS SPECIFIC PROJECT. THIS DRAWING AND THE CONTENTS THEREIN, WHETHER EXPRESS OR IMPLIED, SHALL NOT BE USED COPIED OR DISCLOSED, WHOLLY OR IN PART, WITHOUT THE WRITTEN PERMISSION OF LITEWORX.

# PT<sup>®</sup> SERIES POINTRAK<sup>®</sup> STYLE MOD

## NOTES

1. CAN ACCOMMODATE ANY LAMP TYPE OFFERED. SHOWN BX18. LAMP NOT INCLUDED.
2. USE AS STAND-ALONE ONE-SOCKET FIXTURES OR TO FINISH SHORT GAPS AT ENDS OF RUNS.
3. SOCKET AND INTEGRAL BALLAST FACTORY-WIRED WITH #12 AWG, 105°C. STRANDED CONDUCTORS.
4. UL LISTED FOR DRY OR DAMP LOCATIONS.
5. FIXTURE BODY EXTRUDED .062" ALUMINUM CONSTRUCTION; 2-PIECE SNAP-TOGETHER ASSEMBLY; NO SHEET METAL SCREWS OR POP RIVETS.
6. HEAT-RESISTANT POWDER-COATED FINISHES AVAILABLE.
7. TWO ENDCAPS INCLUDED.
8. INTEGRAL OR REMOTE BALLASTS AVAILABLE.



## SAMPLE MODEL NUMBER

**PTFL - MOD - (\*\* ) - EL - (\*\* ) - M**

LIGHT SOURCE	STYLE	LAMP TYPE	BALLAST TYPE	VOLTAGE	FINISH	ACCESSORIES
PTFL	MOD	TT13	MG/NPF	110	M	RF
		DBX26	MG/HPF	277	GW	AEM
		BX18	EL	FV	EW	
		BX27	DB		MW	
		BX39	R		SB	
		BX40			MB	
		BX50			BB	
		BX55			G	

SCALE: NTS

**POINTRAK  
STYLE MOD**

**Liteworx<sup>®</sup>**

3701 RIDGE AVENUE  
PHILADELPHIA, PENNSYLVANIA 19132  
215.223.9200 FAX: 215.227.7332  
[WWW.LITEWORX.COM](http://WWW.LITEWORX.COM)

ALL IDEAS, DESIGNS, PLANS, SCHEMES AND ARRANGEMENTS INDICATED OR REPRESENTED BY THIS DRAWING ARE OWNED BY AND ARE THE SOLE PROPERTY OF LITEWORX<sup>®</sup> AND WERE CREATED, EVOLVED AND DEVELOPED FOR USE ON AND IN CONNECTION WITH THIS SPECIFIC PROJECT. THIS DRAWING AND THE CONTENTS THEREIN, WHETHER EXPRESS OR IMPLIED, SHALL NOT BE USED COPIED OR DISCLOSED, WHOLLY OR IN PART, WITHOUT THE WRITTEN PERMISSION OF LITEWORX.

Liteworx®

WWW.LITEWORX.COM

FON | 215.223.9200      215.227.7332 | FAX

© LITEWORX 1977-2009